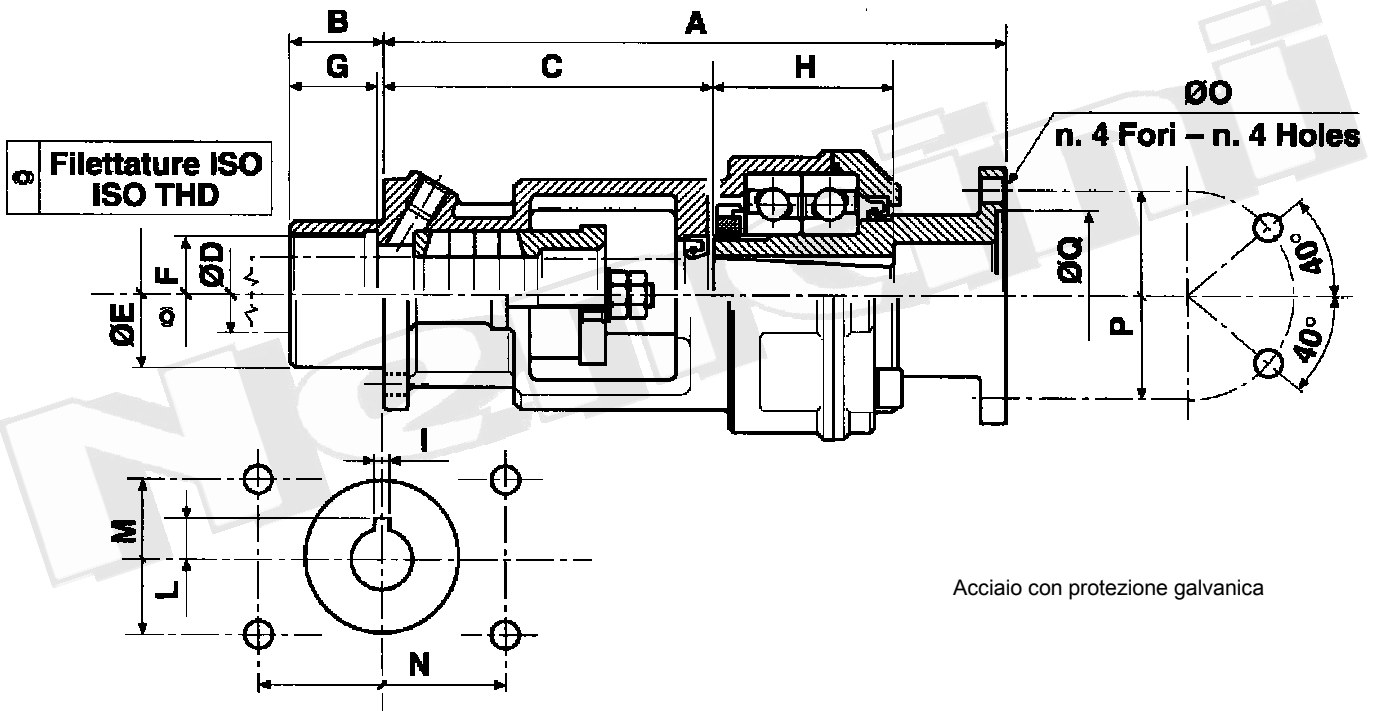
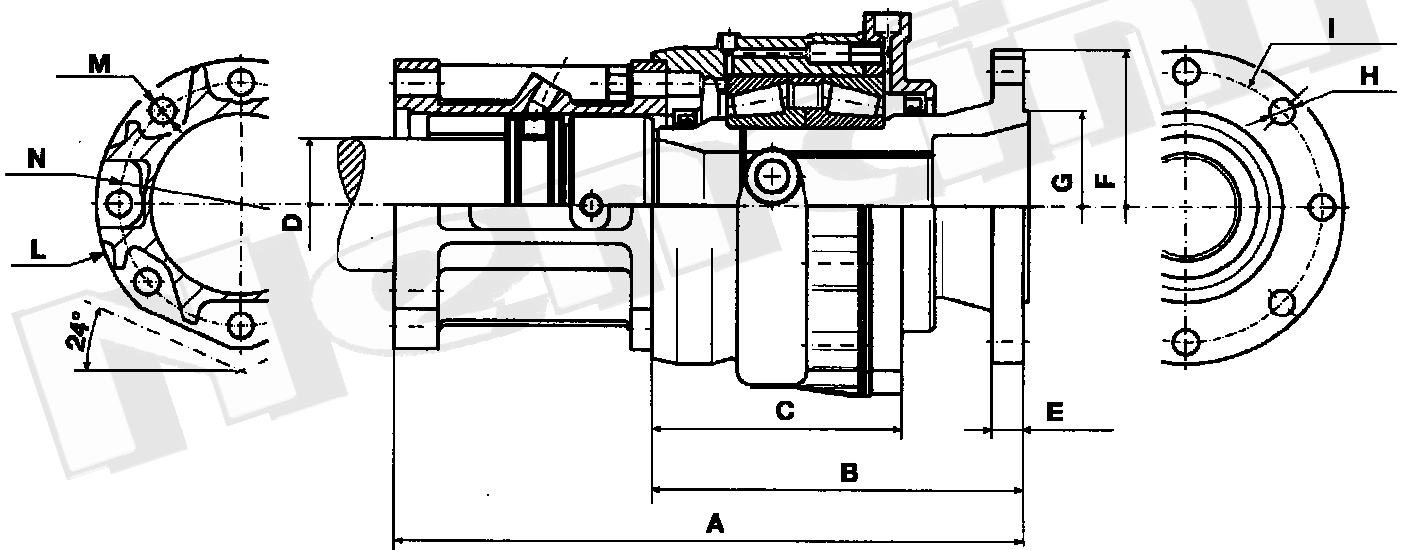


Testate prenitreccia con reggispinta incorporato



| Codice | A | B | C | D | E | F | G | H | I | L | M | N | O | P | Q |
|-----------|-----|----|-----|----|----|---------|----|-----|----|------|----|-----|------|--------|-------|
| N56201100 | 200 | 30 | 107 | 25 | 45 | M40x1.5 | 28 | 58 | 6 | 13.5 | 55 | 75 | 8.5 | 69.85 | 57.15 |
| N56201200 | 215 | 32 | 113 | 30 | 54 | M45x1.5 | 30 | 76 | 8 | 16.5 | 65 | 80 | 10.5 | 79.37 | 60.32 |
| N56201300 | 235 | 35 | 113 | 35 | 61 | M50x1.5 | 33 | 86 | 10 | 19.5 | 70 | 95 | 12.5 | 95.27 | 69.85 |
| N56201400 | 280 | 45 | 145 | 40 | 68 | M55x2 | 40 | 96 | 12 | 22 | 75 | 100 | 12.5 | 95.27 | 69.85 |
| N56201500 | 300 | 50 | 190 | 45 | 74 | M60x2 | 50 | 106 | 14 | 25 | 85 | 120 | 14.5 | 120.67 | 95.25 |
| N56201600 | 310 | 55 | 190 | 50 | 80 | M65x2 | 60 | 115 | 14 | 27.5 | 85 | 120 | 14.5 | 120.67 | 95.25 |

Testate con reggispinta incorporato



| Codice | A | B | C | D | E | F | G | H | I | L | M | N |
|------------|-----|-----|-------|------|----|-----|-----|------|-------|-----|------|-----|
| N56204.100 | 361 | 213 | 143.5 | 76.2 | 18 | 180 | 110 | 14.5 | 155.5 | 166 | 14.5 | 140 |