

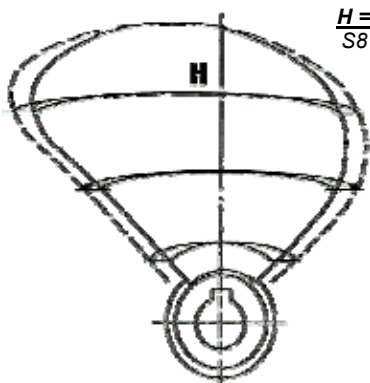
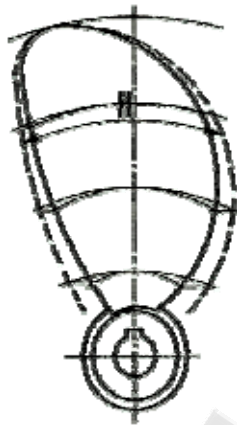
Forme e tipi di pale

Superficie sviluppata



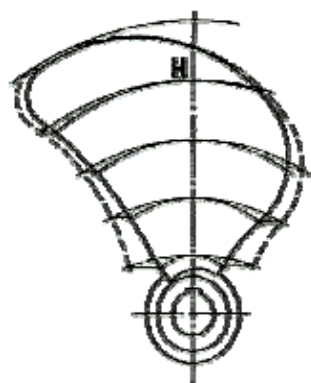
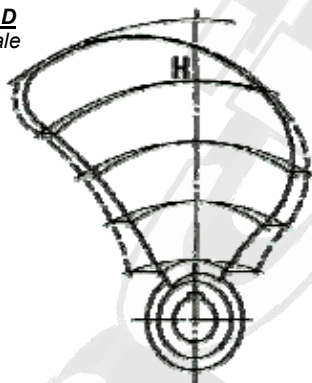
$H = 0.376 D$
E13 - 3 Pale
B7 - 4 Pale

$H = 0.311 D$
E12 - 3 Pale
B6 - 4 Pale
A3 - 5 Pale



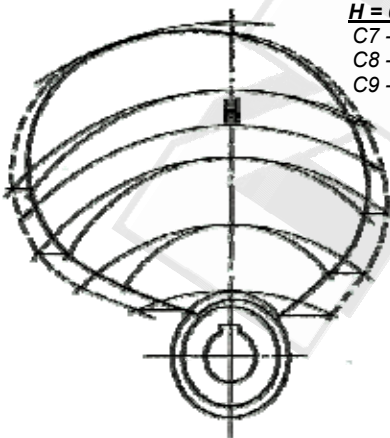
$H = 0.413 D$
S8 - 4 Pale

$H = 0.550 D$
S8M - 4 Pale



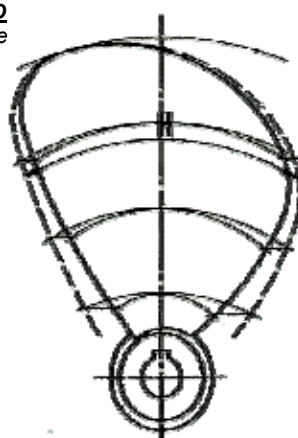
$H = 0.430 D$
S9 - 5 Pale

$H = 0.611 D$
D10 - 3 Pale



$H = 0.436 D$
C7 - 3 Pale
C8 - 4 Pale
C9 - 5 Pale

$H = 0.376 D$
K11 - 2 Pale



	M12	$\frac{Fa/F}{AS/AD} = 0.2256$
	K11	$\frac{Fa/F}{AS/AD} = 0.3432$
	K3-42	$\frac{Fa/F}{AS/AD} = 0.4188$
	E12	$\frac{Fa/F}{AS/AD} = 0.4267$
	K3-50	$\frac{Fa/F}{AS/AD} = 0.5025$
	E13	$\frac{Fa/F}{AS/AD} = 0.5150$
	C7	$\frac{Fa/F}{AS/AD} = 0.5470$
	K4-56	$\frac{Fa/F}{AS/AD} = 0.5584$
	B6	$\frac{Fa/F}{AS/AD} = 0.5689$
	K4-67	$\frac{Fa/F}{AS/AD} = 0.6700$
	B7	$\frac{Fa/F}{AS/AD} = 0.6861$
	A3	$\frac{Fa/F}{AS/AD} = 0.7100$
	C8	$\frac{Fa/F}{AS/AD} = 0.7000$
	S8	$\frac{Fa/F}{AS/AD} = 0.736$
	D10	$\frac{Fa/F}{AS/AD} = 0.7500$
	S8m	$\frac{Fa/F}{AS/AD} = 0.900$
	S9	$\frac{Fa/F}{AS/AD} = 0.911$